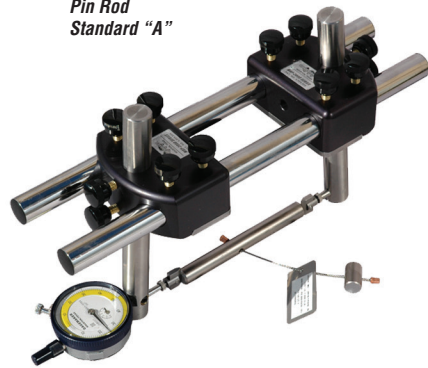




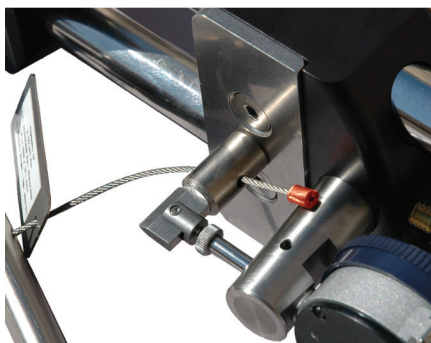
Pin Rod Standard in Case



Pin Rod Standard "A"



Pin Rod Standard "B"



MRP Gage Setting Standards

Rod Style Setting Standards for MRP-1000, 1500, 2000, 2500, 3000, & 3500

Rod style setting standards are designed to preset select MRP Series models for accurate inspection of API threaded connections. Each set of standards consists of two precision ground rods that are ground to lengths in accordance with API Specification 5B. The rod sets are securely attached together and labeled with the connection size and serial number. The rods set the location of the thread shoe and the distance between shoes for accurate inspection of threaded connections.

Thread Type	Connection Size	Pin Model	Box Model
EUE	2 3/8" EUE	MRP-238EUE-P	MRP-238EUE-B
	2 7/8" EUE	MRP-278EUE-P	MRP-278EUE-B
	3 1/2" EUE	MRP-312EUE-P	MRP-312EUE-B
	4" EUE	MRP-4EUE-P	MRP-4EUE-B
	4 1/2" EUE	MRP-412EUE-P	MRP-412EUE-B

Thread Type	Connection Size	Pin Model	Box Model
NUE	2 3/8" NUE	MRP-238NUE-P	MRP-238NUE-B
	2 7/8" NUE	MRP-278NUE-P	MRP-278NUE-B
	3 1/2" NUE	MRP-312NUE-P	MRP-312NUE-B
	4" NUE	MRP-4NUE-P	MRP-4NUE-B
	4 1/2" NUE	MRP-412NUE-P	MRP-412NUE-B

Thread Type	Connection Size	Pin Model	Box Model
Buttress	4 1/2" Buttress	MRP-412B-P	MRP-412B-B
	5" Buttress	MRP-5B-P	MRP-5B-B
	5 1/2" Buttress	MRP-512B-P	MRP-512B-B
	6 3/8" Buttress	MRP-658B-P	MRP-658B-B
	7" Buttress	MRP-7B-P	MRP-7B-B
	7 7/8" Buttress	MRP-758B-P	MRP-758B-B
	8 7/8" Buttress	MRP-858B-P	MRP-858B-B
	9 7/8" Buttress	MRP-958B-P	MRP-958B-B
	10 3/4" Buttress	MRP-1034B-P	MRP-1034B-B
	11 3/4" Buttress	MRP-1134B-P	MRP-1134B-B
	13 3/8" Buttress	MRP-1338B-P	MRP-1338B-B
	16" Buttress	MRP-16B-P	MRP-16B-B
	18 5/8" Buttress	MRP-1858B-P	MRP-1858B-B
	20" Buttress	MRP-20B-P	MRP-20B-B

Line Pipe standards are available. All Special Orders, Non-Standard API or Premium Connection Setting Standards are extra. Please contact for more information.

Rod Style Setting Standards for MRP-1000, 1500, 2000, 2500, 3000, & 3500 (Cont.)

Thread Type	Connection Size	Pin Model	Box Model
LTC	4 1/2" 8R LTC	MRP-412L-P	MRP-412L-B
	5" 8R LTC	MRP-5L-P	MRP-5L-B
	5 1/2" 8R LTC	MRP-512L-P	MRP-512L-B
	6 3/8" 8R LTC	MRP-658L-P	MRP-658L-B
	7" 8R LTC	MRP-7L-P	MRP-7L-B
	7 7/8" 8R LTC	MRP-758L-P	MRP-758L-B
	8 7/8" 8R LTC	MRP-858L-P	MRP-858L-B
	9 7/8" 8R LTC	MRP-958L-P	MRP-958L-B > P110 or MRP-958L-B < P110
20" 8R LTC	MRP-20L-P	MRP-20L-B > JK55 or MRP-20L-B < JK55	

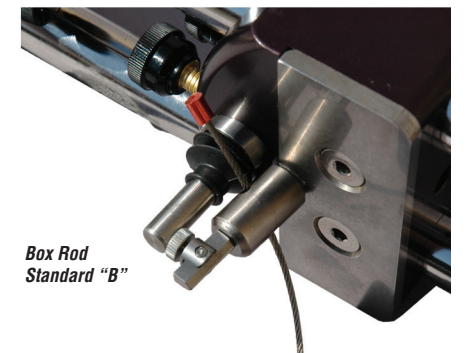
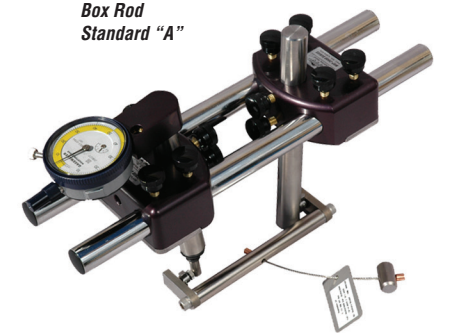
Thread Type	Connection Size	Pin Model	Box Model
STC	4 1/2" - 9.50# 8R STC	MRP-412S-9-P	MRP-412S-9-B
	4 1/2" - Other 8R STC	MRP-412S-0-P	MRP-412S-0-B
	5" - 11.50# 8R STC	MRP-5S-11-P	MRP-5S-11-B
	5" - Other 8R STC	MRP-5S-0-P	MRP-5S-0-B
	5 1/2" 8R STC	MRP-512S-P	MRP-512S-B
	6 3/8" 8R STC	MRP-658S-P	MRP-658S-B
	7" - 17.00# 8R STC	MRP-7S-17-P	MRP-7S-17-B
	7" - Other 8R STC	MRP-7S-0-P	MRP-7S-0-B
	7 7/8" 8R STC	MRP-758S-P	MRP-758S-B
	8 7/8" - 24.00# 8R STC	MRP-858S-24-P	MRP-858S-24-B
	8 7/8" - Other 8R STC	MRP-858S-0-P	MRP-858S-0-B
	9 7/8" 8R STC	MRP-958S-P	MRP-958S-B > P110 or MRP-958S-B < P110
	10 3/4" - 32.75# 8R STC	MRP-1034S-32-P	MRP-1034S-32-B
	10 3/4" - Other 8R STC	MRP-1034S-0-P	MRP-1034S-0-B > P110 or MRP-1034S-0-B < P110
	11 3/4" 8R STC	MRP-1134S-P	MRP-1134S-B > P110 or MRP-1134S-B < P110
	13 3/8" 8R STC	MRP-1338S-P	MRP-1338S-B > P110 or MRP-1338S-B < P110
	16" 8R STC	MRP-16S-P	MRP-16S-B
	18 5/8" 8R STC	MRP-1858S-P	MRP-1858S-B
20" 8R STC	MRP-20S-P	MRP-20S-B > JK55 or MRP-20S-B < JK55	

Line Pipe standards are available. All Special Orders, Non-Standard API or Premium Connection Setting Standards are extra. Please contact for more information.

Box Rod Standard in Case



Box Rod Standard "A"



Box Rod Standard "B"